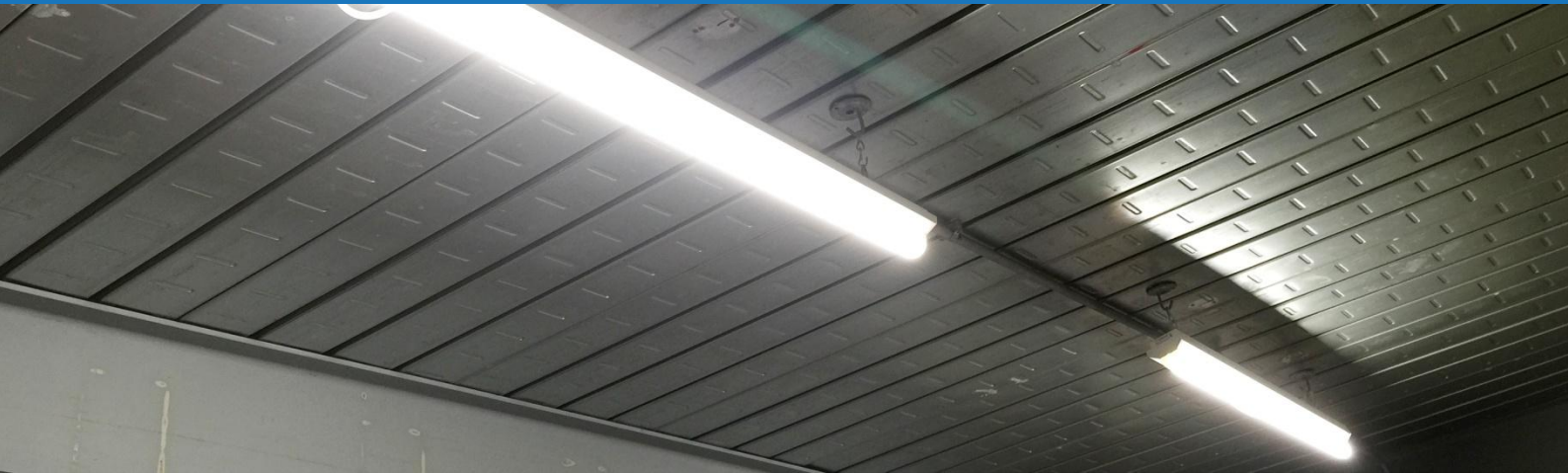


Aisle Star

Contemporary design LED linear luminaire



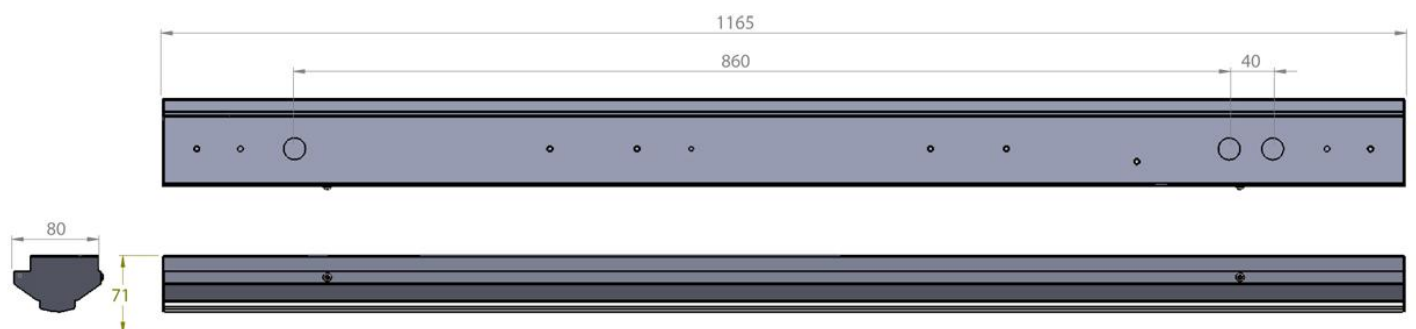
The Aisle Star is a contemporary design LED linear luminaire with a flat diffuser profile, perfect for multiple applications from retail to industrial environments. Comes with a highly efficient diffuser for even light distribution, ideal energy efficient alternative to traditional fluorescent light fittings



- **Over 70% efficiency gains verses comparative fluorescent**
- Ideal for retail, public buildings and warehouses
- Standard and high output versions
- Ultra low maintenance
- Emergency options
- Ideal for retail




Range design



Aisle Star

Contemporary design LED linear luminaire

Range specification data

	Aisle Star 100	Aisle Star 200
Specification		
 Alternative to	T5/T8/T12 Battens	T5/T8/T12 Battens
 Efficiency	62%	62%
 Maintenance	Low	Low
 Dimensions (mm)	1165 x 80 x 52 mm	1165 x 80 x 52 mm
 IP Rating	20	20
 Lumen output	2,840 lm	5,191 lm
 Power consumption	28 W	49 W
 System efficiency	101 l/cW	106 l/cW
 CRI	>80	>80
 Colour temperature	4000K	4000K
 Flicker-free	Yes	Yes
 Instant start up	Yes	Yes
 Warranty	5 years	5 years
 Lifespan estimate	50,000 hours	50,000 hours
Mount Options		
Suspended		
Surface		
BESA		
Exposed T Ceilings		
Options		
Low glare diffuser		
Integral Emergency		

All Constant Lighting luminaires are designed and manufactured in Manchester allowing us to have the ability to tailor our designs to match your exact requirements.